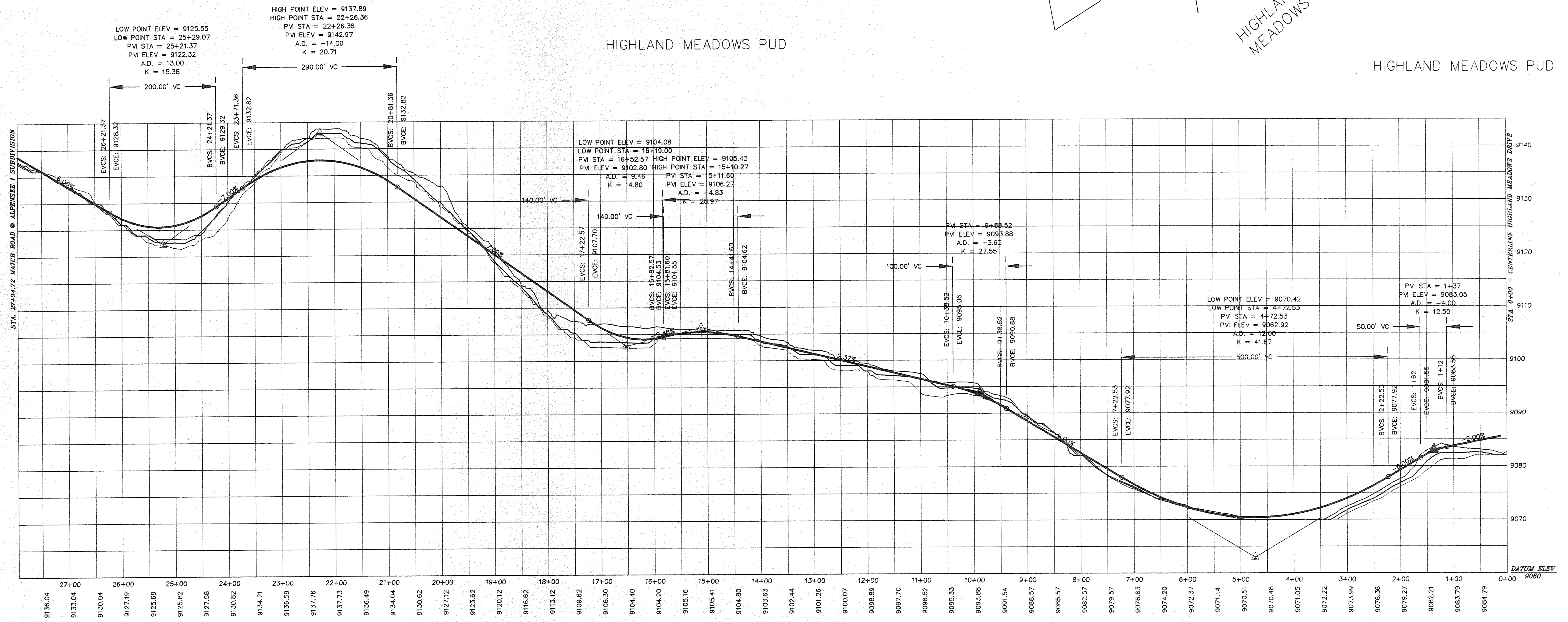
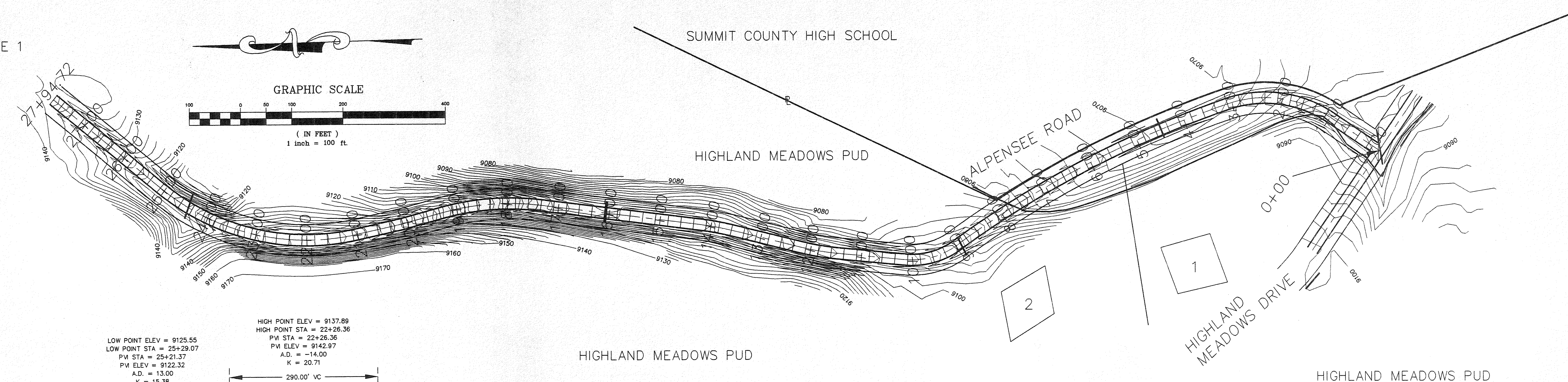
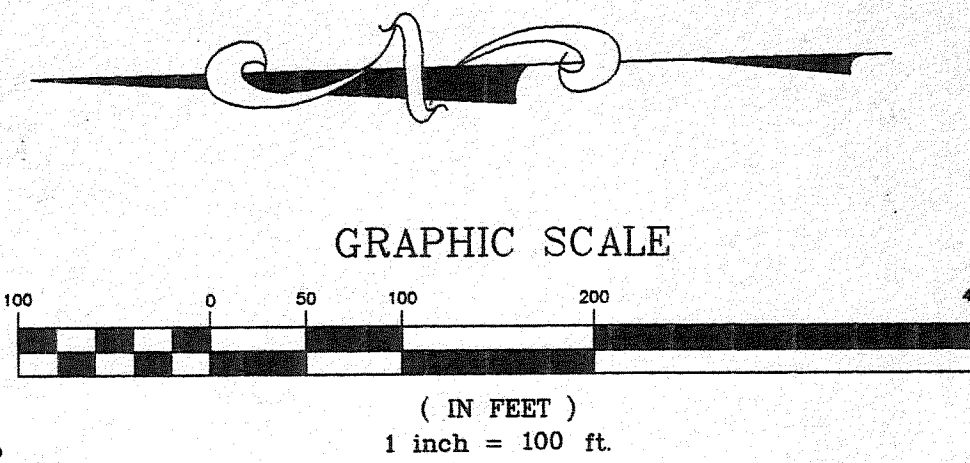


ALPENSEE 1



LATEST REVISION 8-3-98

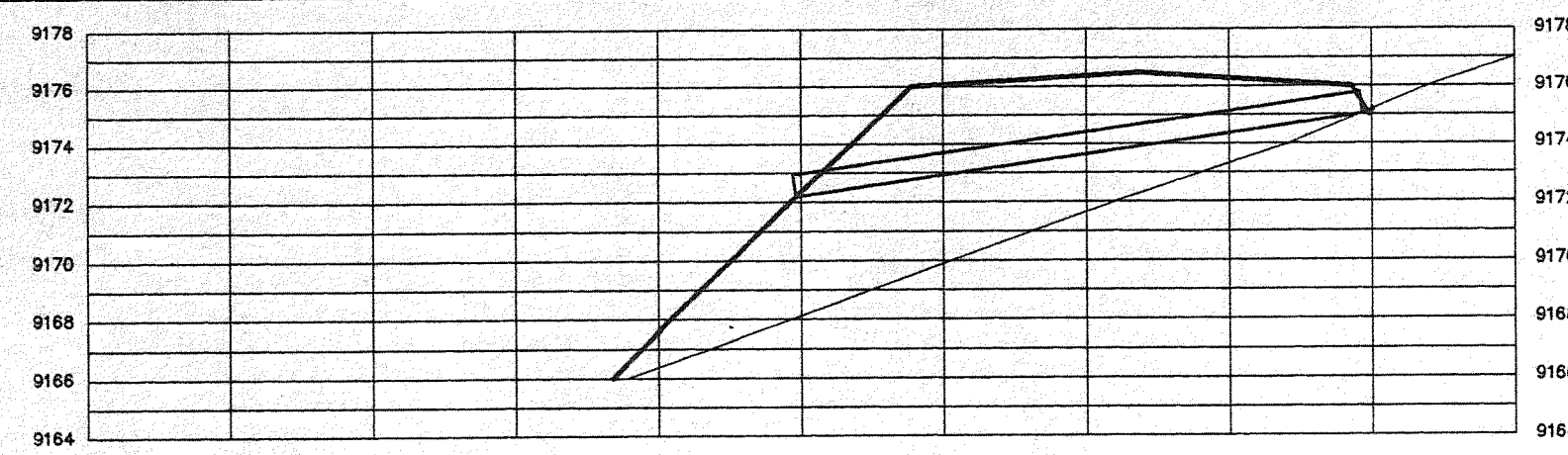
ALPENSEE ROAD PLAN AND PROFILE

FOR FARMER'S KORNER, INC.

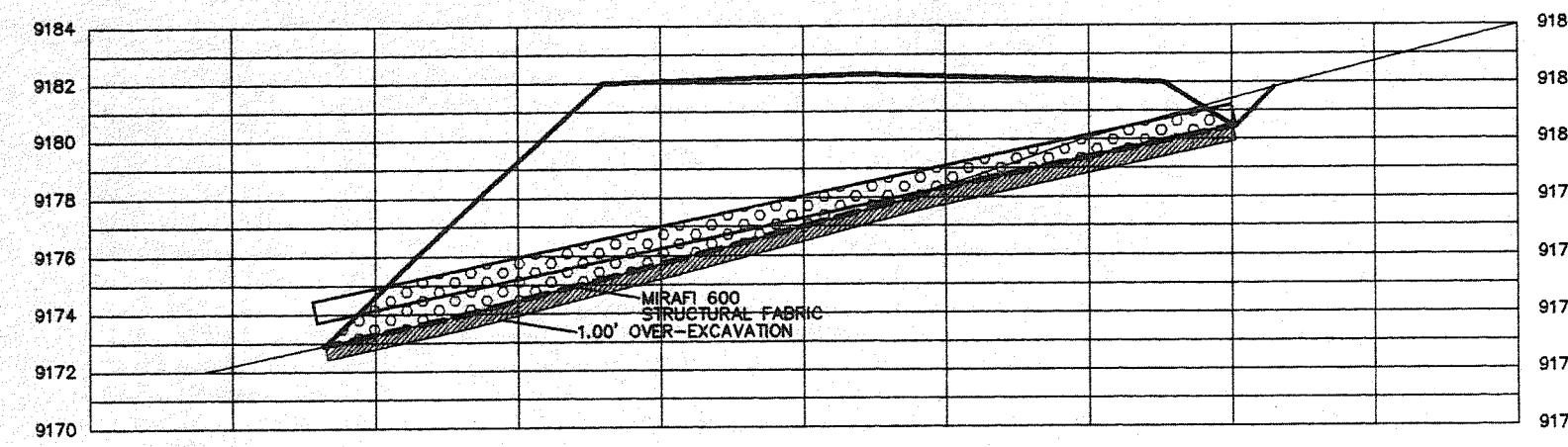
PROJECT 950103ST	HIGHLAND MEADOWS PUD	DATE 8 28 95
DRAWN BY GAP	SUMMIT COUNTY, COLORADO	SCALE 1"=100'
FIELD BOOK NA		SHEET 22

PEARSON ENGINEERING INC.
P.O. BOX 1508, FRISCO, CO 80443
303 668 3067

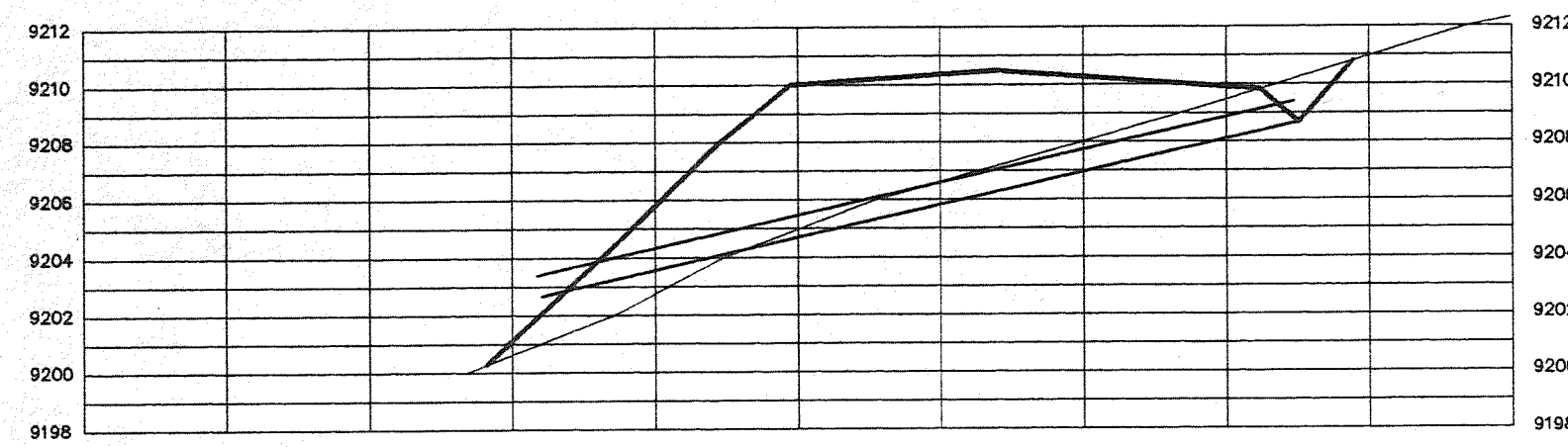
D:\PROJECTS\95\950103\950103ST Thu Aug 6 09:00:20 1995



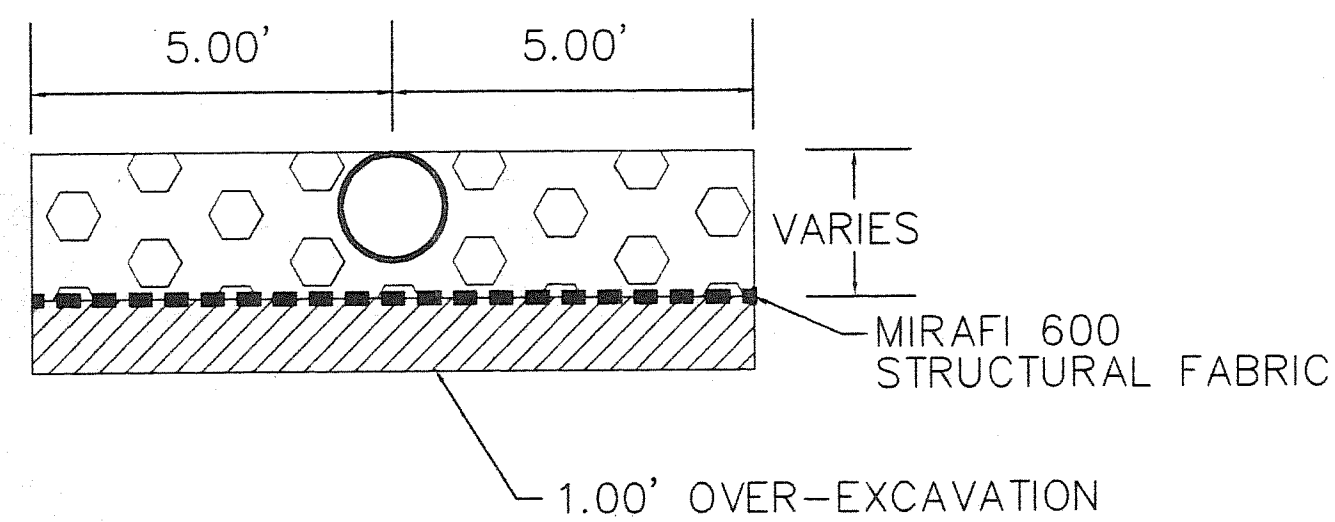
SECTION A-A



SECTION B-B

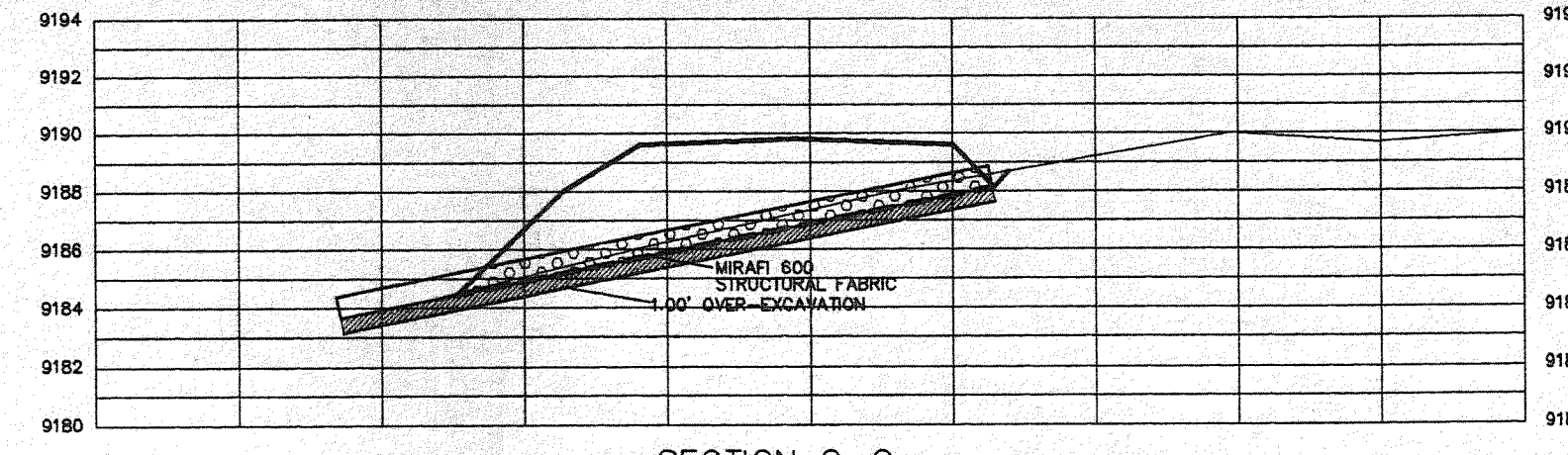


SECTION E-E

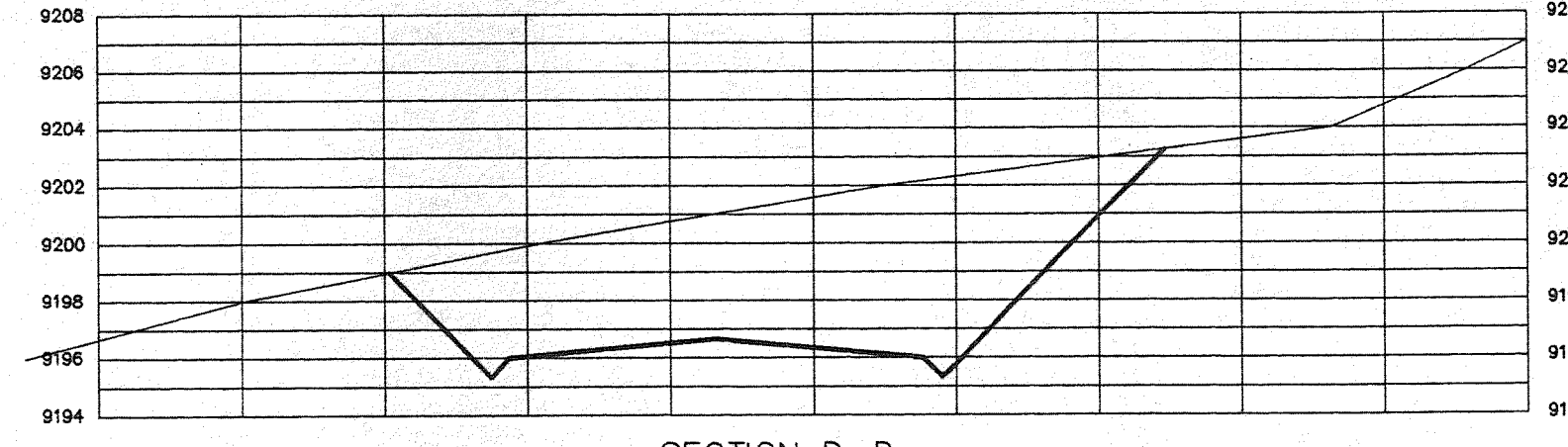


END PROFILE

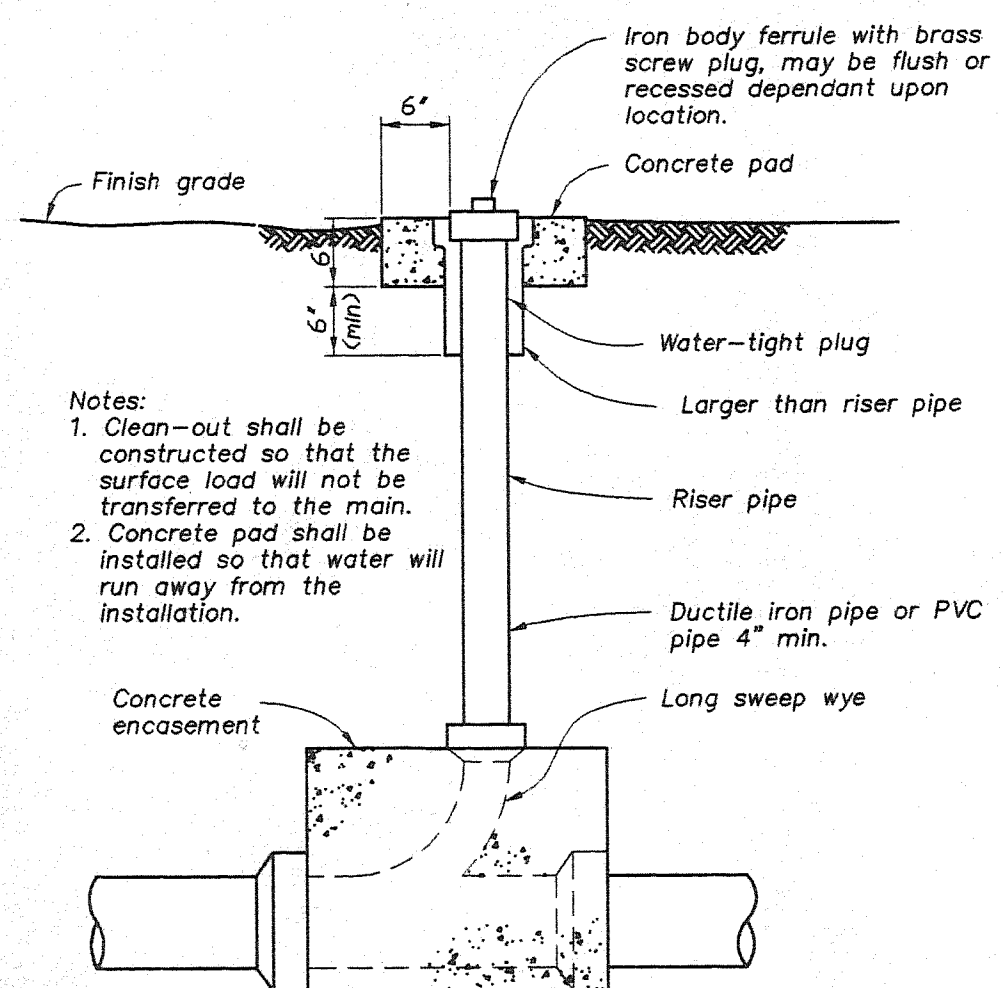
CULVERT CROSSING PROFILES
SEE THE STREET AND DRIVE PLAN FOR CROSS SECTION DELINEATIONS
NTS



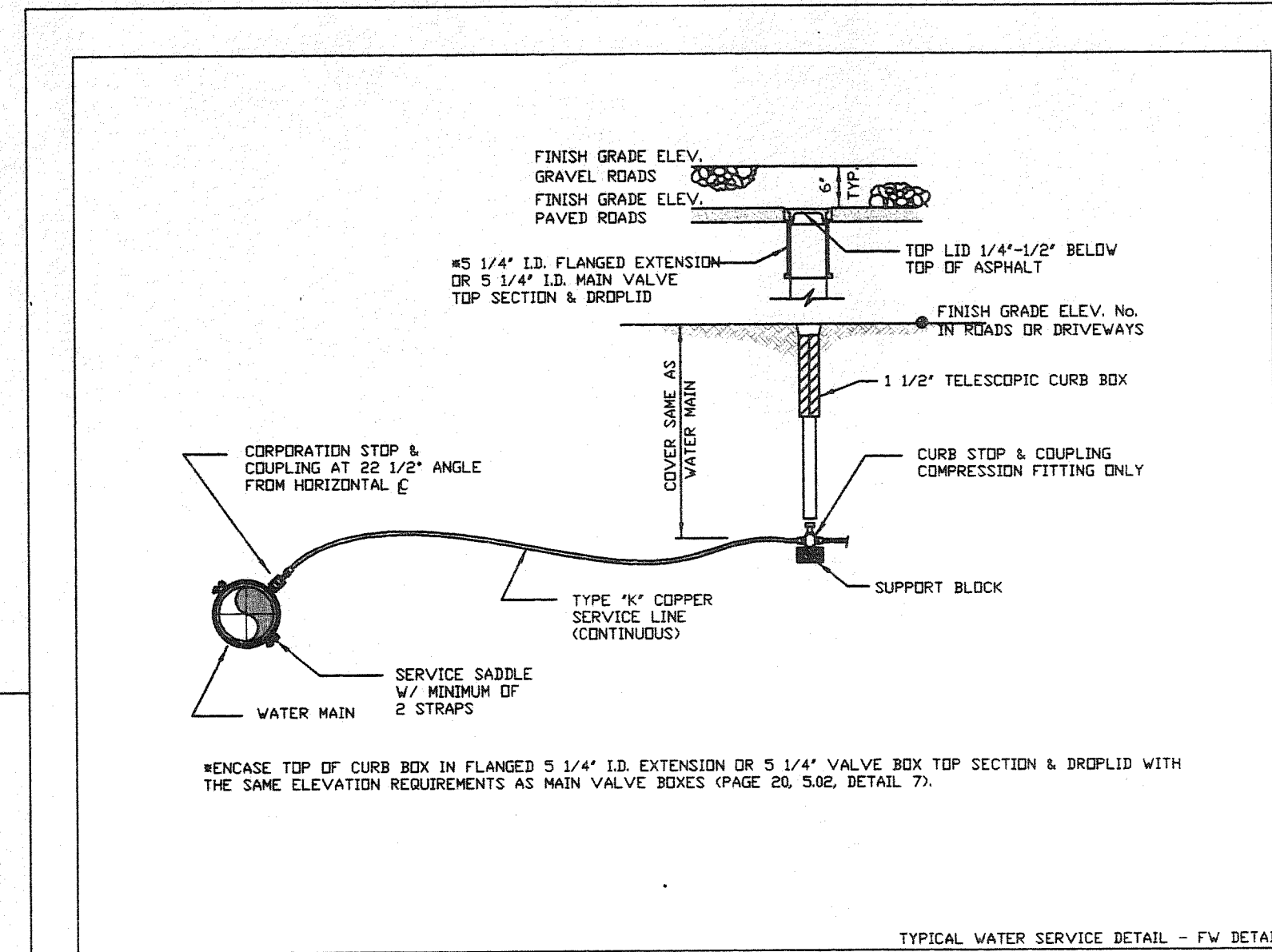
SECTION C-C



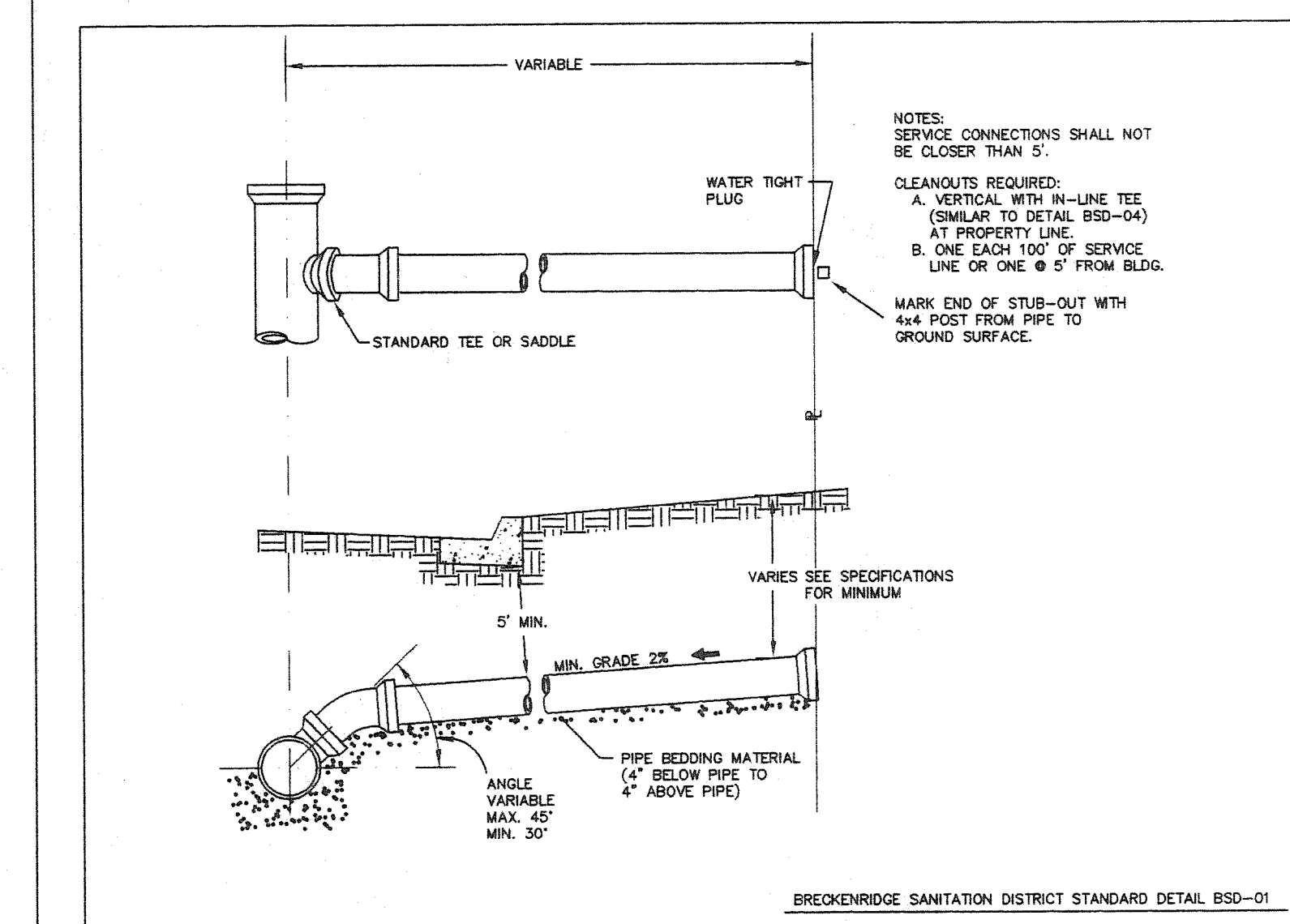
SECTION D-D



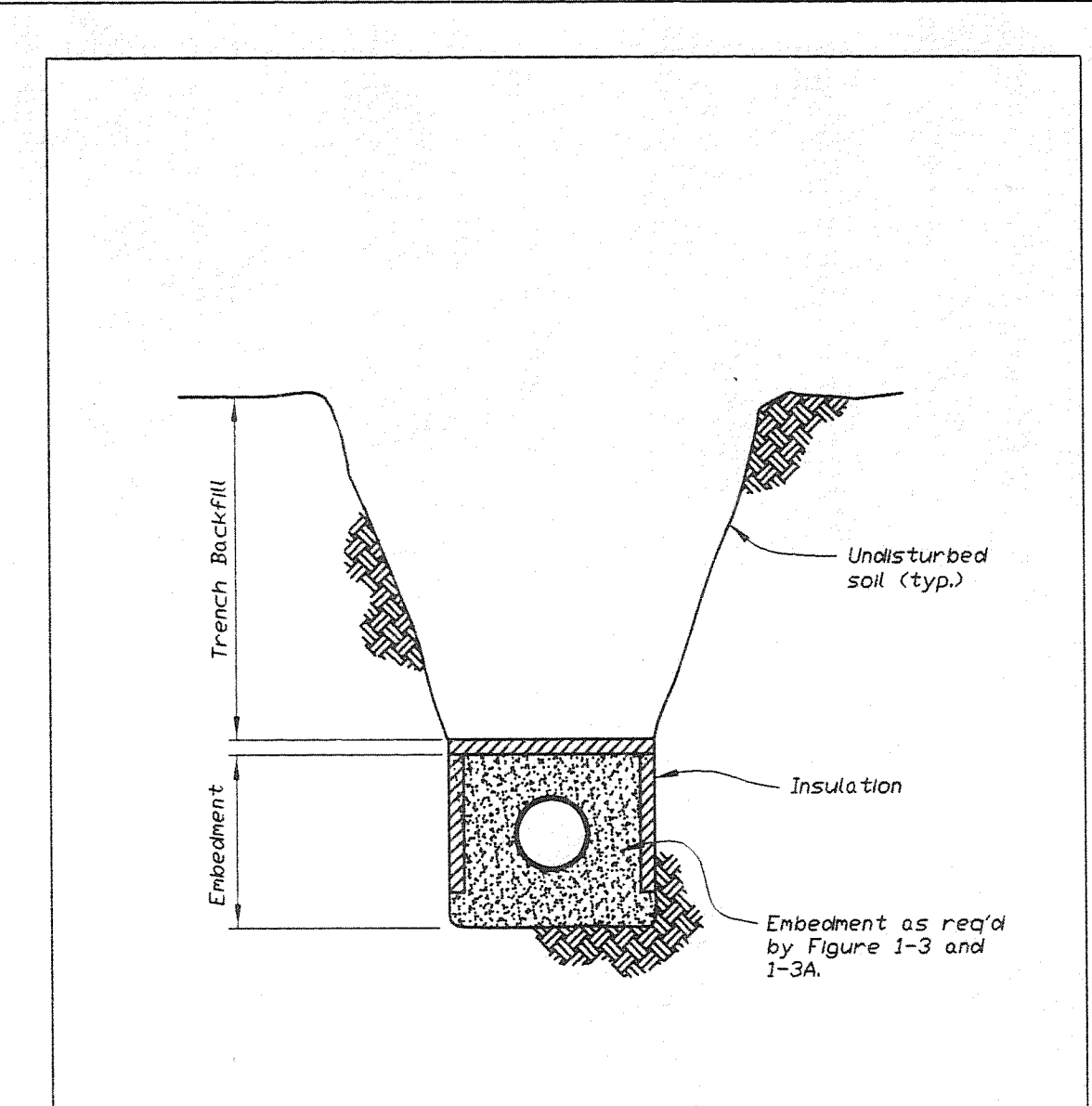
CLEANOUT DETAIL - FIGURE FSD 3



TYPICAL WATER SERVICE DETAIL - FW DETAIL 4



BRECKENRIDGE SANITATION DISTRICT STANDARD DETAIL BSD-01



INSULATION OF PIPELINES - FIGURE 2-B

Notes:

- Granular embedment shall be material specified below. Material shall be placed in not more than 6" lifts and compacted by slicing with a shovel or vibrating.
- Concrete encasement shall be poured to limits of trench.
- Embedment below pipe 3" min. in soil, 6" min. in rock.
- Granular Embedment: Embedment material shall be 1/2" pea gravel or 3/4" washed rock conforming to one of the following gradations:

1/2" Pea Gravel	3/4" Washed Rock
Sieve Size	Total Per Cent Passing By Weight
1/2"	100
No. 4	90-100
1"	20-55
No. 10	0-5
No. 20	0-5

CONCRETE ENCASEMENT

REQUIRED: WATER LINES CROSSINGS SPECIAL CONDITIONS (SEE CHAPTER 3)

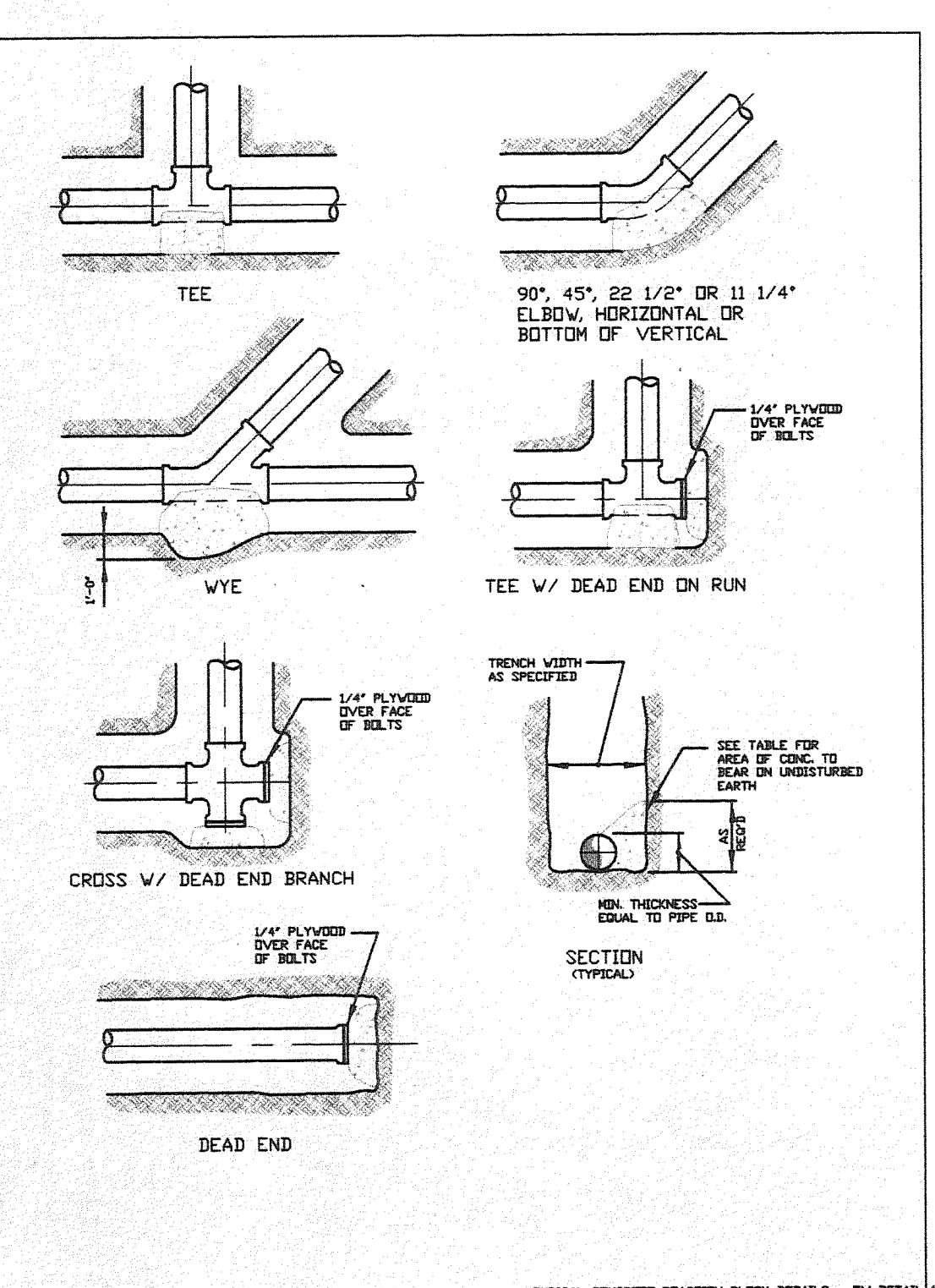
Sieve Size	Total Per Cent Passing By Weight
1"	100
3/8"	90-100
No. 6	20-55
No. 10	0-5
No. 20	0-5

(ASTM C33 Size No. 67)

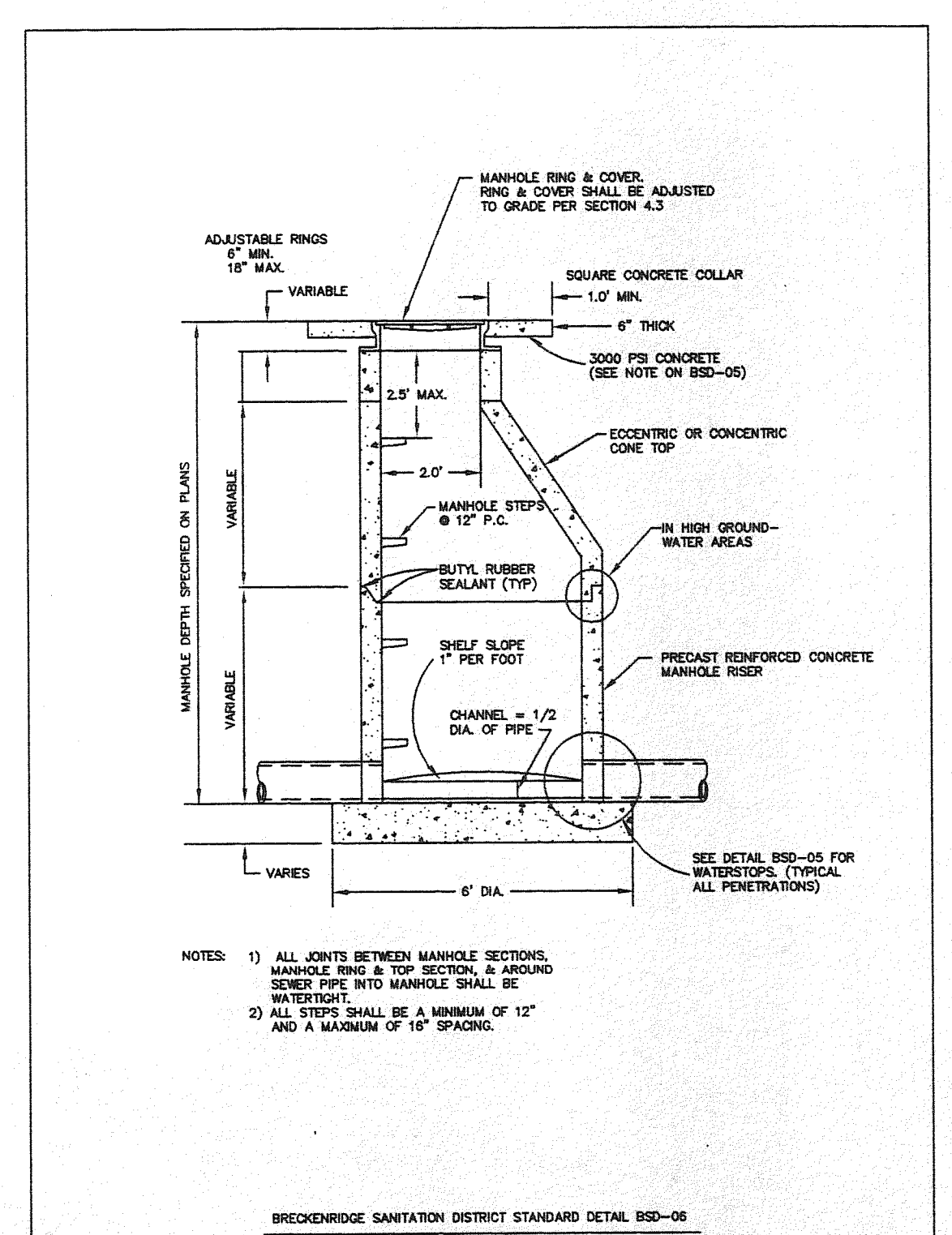
Trench Width Criteria

Pipe Size (Inches)	Minimum Sidewall Clearances (Inches)	Maximum Trench Width (Inches)
Less than or equal to 12 inches	6	Pipe O.D. + 24"
Larger than 12 inches	8	Pipe O.D. + 24"

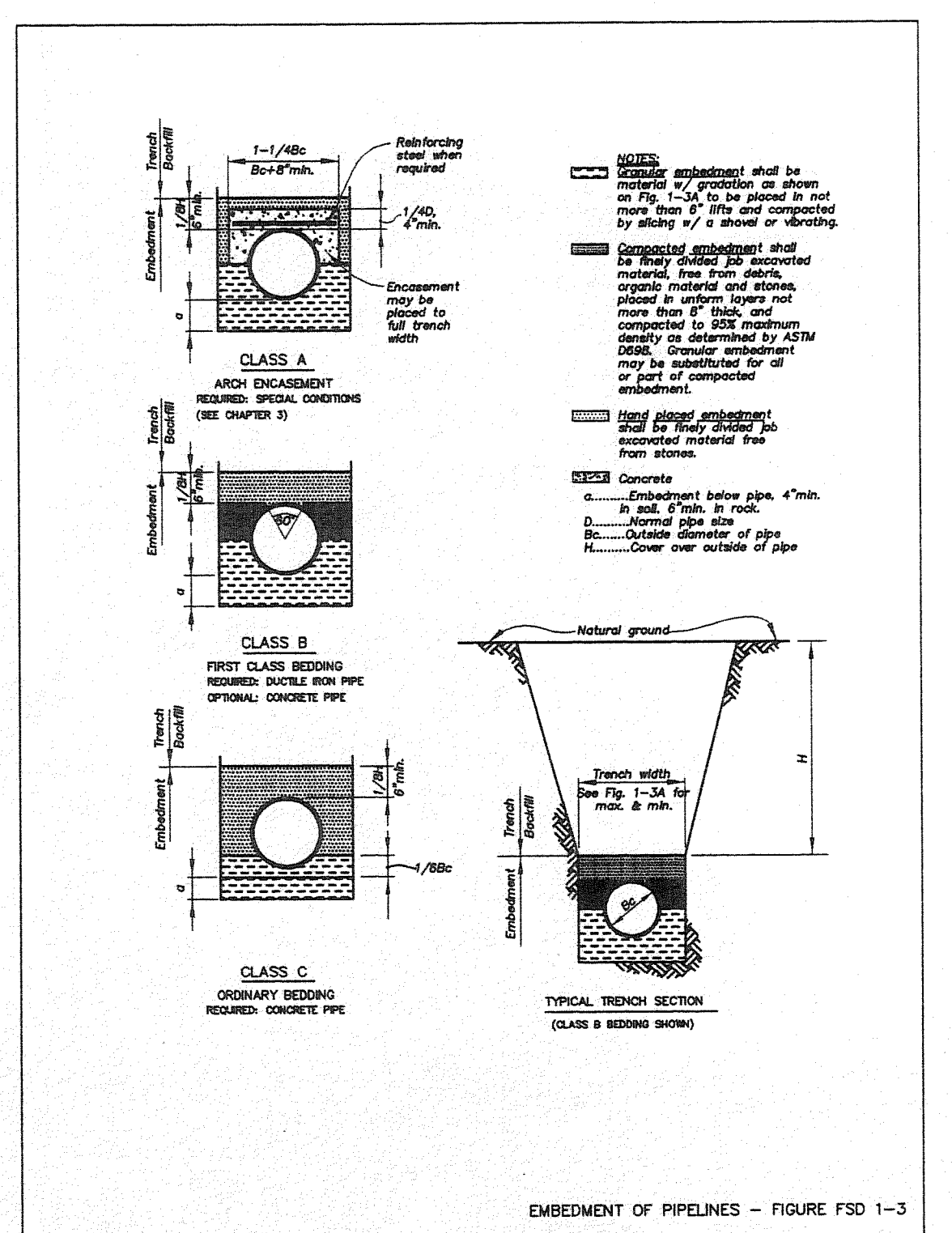
DISCREET & EMBEDMENT OF PIPELINES - FIG 1-2A



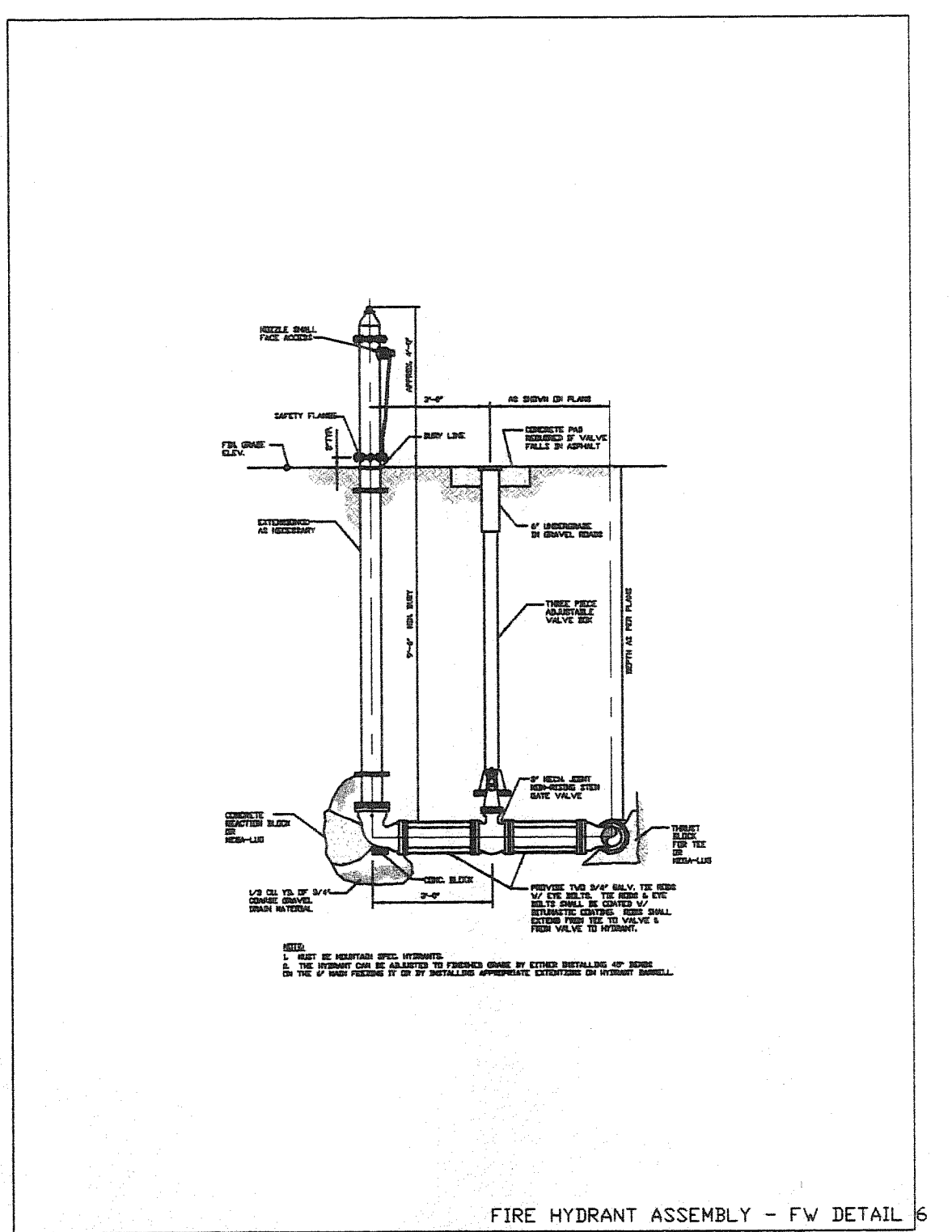
TYPICAL CONCRETE REACTION BLOCK DETAILS - FW DETAIL 1



BRECKENRIDGE SANITATION DISTRICT STANDARD DETAIL BSD-05



EMBEDMENT OF PIPELINES - FIGURE FSD 1-3



FIRE HYDRANT ASSEMBLY - FW DETAIL 6

LATEST REVISION

DETAILS

HIGHLAND MEADOWS PUD

FARMER'S KORNER

SUMMIT COUNTY, COLORADO

PEARSON ENGINEERING, INC.
P.O. BOX 1308, FRISCO, CO 80445
970 688 3067

DRAWING # 950901D.DWG
DRAWN BY JAF
FIELD BOOK NA

DATE 07-14-9
SCALE 1" = 20'
SHEET 13

11/11/2009 10:45:15 AM